

Optical to Electrical Converter

T
I
A
3
0
0
0

Features:

- Wavelength Response 900nm - 1700nm
- Low Noise, High Gain
- Responsivity 450V/W
- Bandwidth- 10 GHz (SM)
- Type K SMA Output Electrical Connector
- FC/UPC Style Fiber Optic Input Connector



Applications:

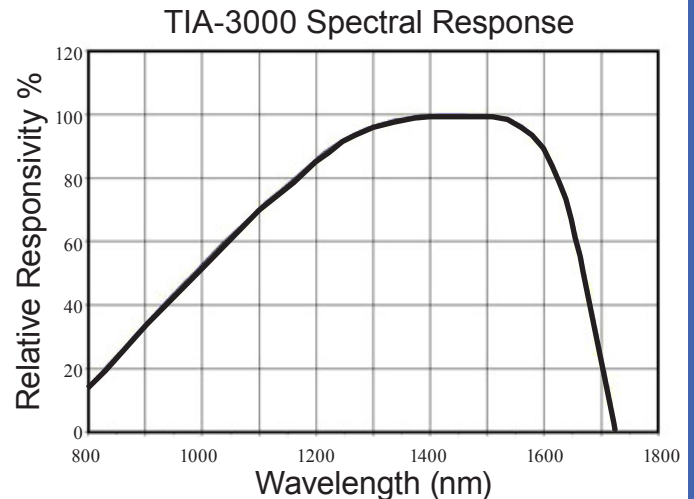
- General Laboratory Testing of Optical Components
- Front-End O/E Converter For Test Instruments
- Rapid Doppler-Shift LIDAR Measurements
- Analog RF Links Over Fiber

The TIA-3000 is a versatile Optical to Electrical converter for laboratory or field use. This low profile O/E converter will faithfully reproduce an optical signal on a wide range of oscilloscopes and digitizers.

The unit is equipped with an InGaAs detector that is responsive in the wavelength range of 900 - 1700 nm. The TIA-3000 bandwidth ranges from 30KHz to 10GHz (-3dB).

Applications for this converter include the General purpose testing of fiber optic components, data links and transmitter testing, LIDAR and analog RF-over-fiber links.

The TIA-3000 like other Terahertz Technologies Inc. TIA O/E devices are shipped in a hard case with universal power supply that has interchangeable AC plugs.



Made In the USA

Terahertz Technologies Inc.
169 Clear Rd, Oriskany NY 13424
855-TTI-TEAM (884-8326)
Phone: 315-736-3642
Fax: 315-736-4078
email: sales@teratec.us
web: www.teratec.us

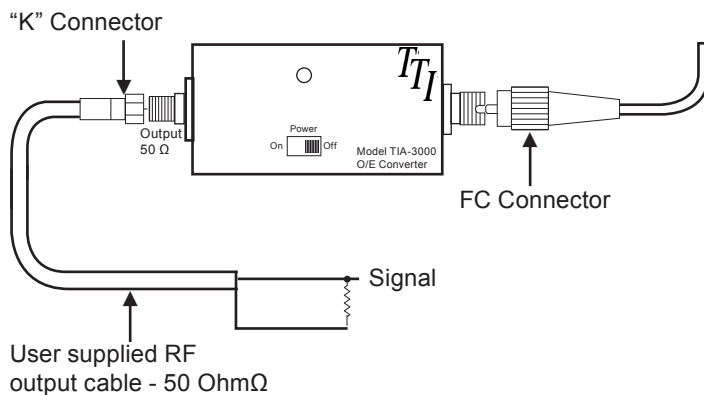
© 6/2017 Terahertz Technologies Inc.

TIA-3000 Specifications

Detector Type	InGaAs (900nm-1700nm)
Current Responsivity	0.8 A/W @ 1550nm Typical
Maximum Linear Input Power	1.25mW
Maximum Input Power w/o Damage	6.25 mW Peak, 2.5mW Avg.
Bandwidth@1550nm Typ.	10 GHz typ. (8.5 GHz min.)
Output Impedance	50 Ohms
Output Connector	Type K SMA Female
Fiber Optic Input Connector	FC/UPC
Input Numerical Aperture	0.11
Sensitivity	-20dBm @ 10 ⁻¹⁰ BER
Detector ORL @1550nm Typ.	30dB
Power	Universal Power Supply
Dimensions	1.2"W x 2.5"L x 1.3"H (30.5mm x 63mm x 33mm)
Weight	5.6 oz (0.16 Kg)
LED Annunciators Provided	Power On
Operating Temperature Range	0 - 40 C
Standard Warranty	Two Years, Component and Workmanship, 30 Day Satisfaction Guarantee
Accessories Supplied	Transit/Storage Case, Operating Manual, Universal Power Supply

TTI reserves the right to change specifications without notice.

Typical Setup of the TIA-3000



Operating Sequence

Turn on sequence:

1. Ground via SMA
2. Turn on the TIA-3000
3. Connect Optical Power

Turn off sequence:

1. Remove Optical power
2. Turn off the TIA-3000
3. Disconnect ground through SMA

Failure to operate the TIA-3000 as directed will void the warranty.



Made In the USA

Terahertz Technologies Inc.
 169 Clear Rd, Oriskany NY 13424
 855-TTI-TEAM (884-8326)
 Phone: 315-736-3642 Fax: 315-736-4078
 email: sales@teratec.us
 web: www.teratec.us

TTI makes every effort to insure all statements and information for the products referred to in this document are accurate and reliable. TTI can not accept any responsibility for errors, omissions or miss statements, nor can they accept responsibility for any actions taken based on the information demonstrated herein. TTI reserves the right to make changes of any kind to the product referred to in this document without prior notice. © 6/2017 Terahertz Technologies Inc.