

FTE6100 PRO-Net Tuneable Laser Source



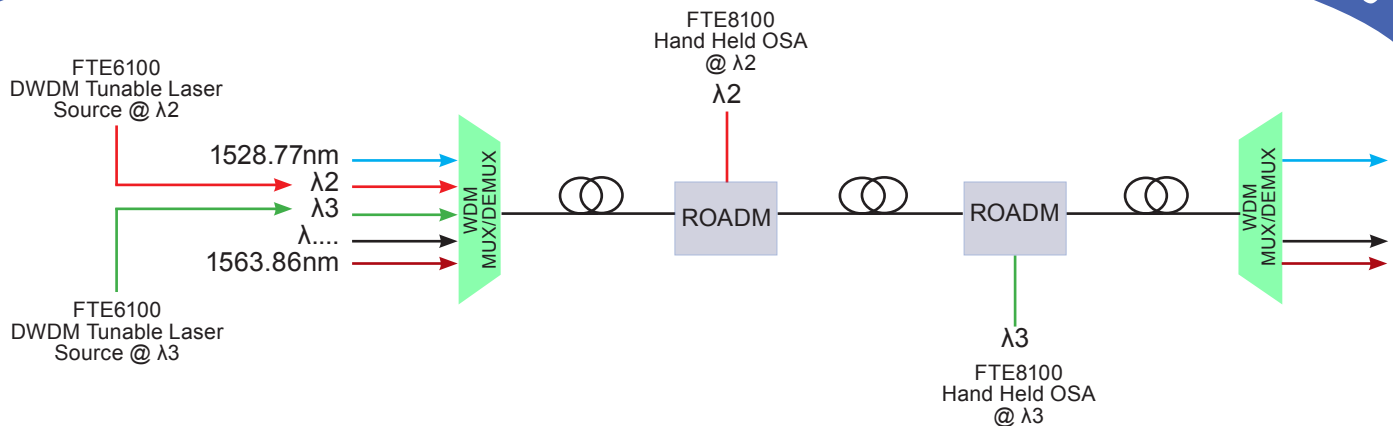
Features:

- Selectable Step Size Down to 50 GHz
- Selectable Start & Stop Channels
- Settable in Wavelength, Frequency or ITU Channel
- Settable Dwell Time
- Rugged Case with Impact Resistant Boot
- Battery Operated or International Line Voltage
- Simple Operation with On-Board Help Mode
- Lowest Cost Hand Held Tunable Laser Source
- IEC61300 Auto Pass/Fail/Centering Fiber Inspector
- Visible Fault Locator
- Interchangeable Fiber Optic Connectors
- Up to 96 Channels on the ITU Grid
- 4" Color Touch Display
- 10 hr Battery Life

Applications

- Support ROADM network test
- WDM, GFF, AWG, PLC, & ATM System Trouble Shooting
- Fiber sensors test
- PMD and PDL measurement
- Fiber Optic Telcom and R&D Test Applications
- Impact field testing system
- Fiber Characterization in DWDM Networks
- Verify ROADM Channel Routing

Maintain and Troubleshoot DWDM Networks Easily and Cost Effectively



Made In the USA

Terahertz Technologies Inc.
 169 Clear Rd., Oriskany NY 13424
 Toll Free: 888-U.S.- OTDRS
 Phone: 315-736-3642 Fax: 315-736-4078
 E-mail: sales@teratec.us
 Web: www.teratec.us

The Terahertz Technologies FTE-6100 **PRO-Net** Hand Held Tuneable Laser Source (TLS) Is available with up to 96 Channels in the "C" Band. This Tunable Laser Source is manufactured in our rugged splash proof housing with a highly protective boot. Our TLS displays in wavelength, frequency or ITU channel. The Tuneable Laser Source is a great match with our FTE-8100 (Hand Held Optical Spectrum Analyzer) for installation, commissioning and trouble shooting of DWDM networks. The FTE-6100 offers a fast start up with minimal warm up required and provides very stable wavelength and power outputs. The FTE6100 **PRO-Net** also incorporates an IEC61300 Auto Pass/Fail/Centering Fiber Inspector (probe sold separately) and a Visible Fault Locator. As with all of our advanced tests equipment series, the FTE-6100 is affordable, easy to use and rugged. Ask about our kit offerings, such as the FTE-8610 Combo Kit.

96 DWDM Channels in one Hand Held Tunable OTDR

These Tunable Laser Sources offer multiple features and options that will assist you with DWDM testing requirements

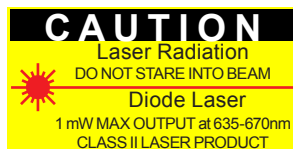
Tunable Laser Source - 96 Channel Variable Power Tunable Laser Source

Video Scope - Auto pass/fail and automatic image centering Video Scope

VFL - The VFL may be used to find near end failures and or to see continuity in a fiber.

Laser Safety

Visible Fault Locator



Tunable Laser Source



Made In the USA

Terahertz Technologies Inc.
169 Clear Rd., Oriskany NY 13424
Toll Free: 888-U.S.- OTDRS
Phone: 315-736-3642 Fax: 315-736-4078
E-mail: sales@teratec.us
Web: www.teratec.us

FTE6100 **PRO-Net** Tunable Laser Source

Specifications	
Range	Frequency 191.5 - 196.25 THz Wavelengths 1528-1565nm ITU Channels 15 - 62.5
Frequency Accuracy	1.5 GHz
Line Width	1 MHz
Side Mode Suppression Ratio	40 dB
Maximum Output Power	13 dBm (Typ.)
Output Power Range	6 dB
Power Setting Resolution	0.01 dB
Power Variation over Wavelength Range	± 0.5 dB
Minimum Channel Spacing	50 GHz (0.4nm)
Fiber Type	9/125 µm
Relative Intensity Noise	-140 dB/Hz
Graphical Display	4 in Color Touch Screen
Dimensions	8.75" L x 4.25" W x 2.125" H (222mm L x 108mm W x 554m H)
Weight	1.75 lbs
Battery	Li-ion 10 hr typ.
Power	100-240 universal US, GB, EU, AU Mains
Environmental	Operation 0°C to + 40°C
Accessories Included	Universal power supply with mains for US, UK, CE and AU. Interchangeable FC and SC adaptors, Windows TM Compatible Software, USB Cable, Manual and Rubber Boot

Part Numbers	
FTE-6100C	C-Band PRO-Net Tuneable Laser Source
FTE-8610C	C-Band PRO-Net Tuneable Laser Source with C Band Optical Spectrum Analyzer

Terahertz Technologies Inc.
 169 Clear Rd., Oriskany NY 13424
 Toll Free: 888-U.S.- OTDRS
 Phone: 315-736-3642 Fax: 315-736-4078
 E-mail: sales@teratec.us
 Web: www.teratec.us



Made In the USA

TTI makes every effort to insure all statements and information for the products referred to in this document are accurate and reliable. TTI can not accept any responsibility for errors, omissions or miss statements, nor can they accept responsibility for any actions taken based on the information demonstrated herein. TTI reserves the right to make changes of any kind to the product referred to in this document without prior notice.
 © 1/2017 Terahertz Technologies Inc.